

## ENGINE

# PRIMARY TIMING CHAIN INNER GUIDE LH (G222807)

### IN-VEHICLE REPAIR

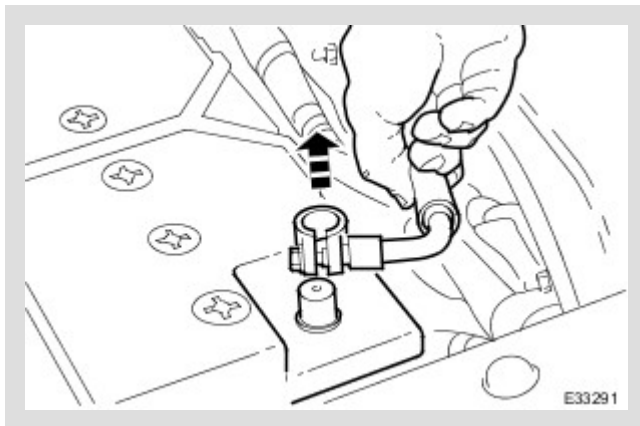
12.65.58	<b>TIMING CHAIN TENSIONER BLADE - PRIMARY - BANK 2 - RENEW</b>	<b>ALL DERIVATIVES</b>	<b>4.70</b>	<b>USED WITHINS</b>
----------	--	----------------------------	-------------	---------------------

12.65.58	<b>TIMING CHAIN TENSIONER BLADE - PRIMARY - BANK 2 - RENEW</b>	<b>ALL DERIVATIVES</b>	<b>4.70</b>	<b>USED WITHINS</b>
----------	--	----------------------------	-------------	---------------------

### REMOVAL

1. Open the engine compartment and fit paintwork protection sheets.
2. Set the engine compartment cover to the service access position.

3.



Disconnect the battery ground cable.

Remove the battery cover.

---

4. Remove the Timing Cover. Refer to Operation 12.65.01 in this Section.

---

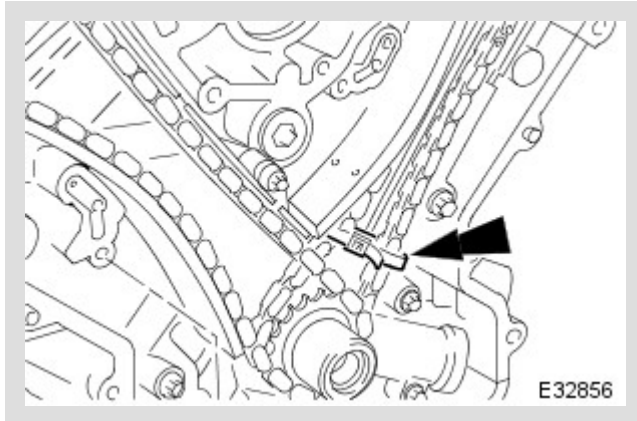
5. Remove the VVT Bush Carrier Assembly from the B-Bank. Refer to Operation 12.65.52 in this Section.

---

6. Remove the Timing Chain Tensioner - Primary, from the B-Bank. Refer to Operation 12.65.55 in this Section.

---

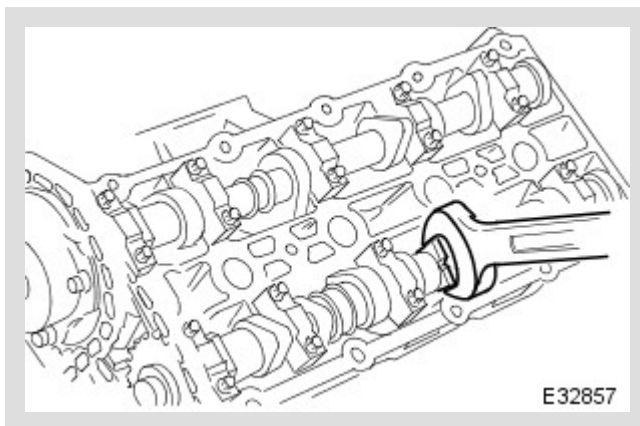
7.



Fit a Tie-Strap through the links of the primary chain, just above the crankshaft sprocket, to retain the chain to the sprocket.

---

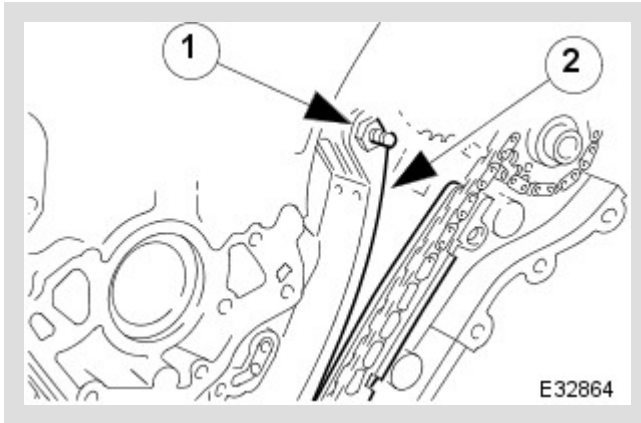
8.



Rotate the inlet camshaft (and the exhaust camshaft), using a spanner on the flats, to provide sufficient slack in the chain to remove the chain tensioner blade.

---

9.



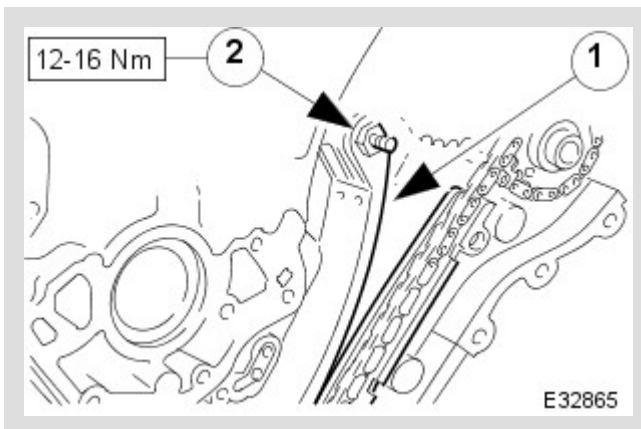
Remove the chain tensioner blade.

1. Remove the pivot bolt which secures the tensioner blade.
2. Remove the tensioner blade.

10. Clean and inspect all relevant components.

## INSTALLATION

1.



Fit the chain tensioner blade.

1. Position the tensioner blade to the cylinder block.
2. Fit the retaining / pivot bolt and tighten it to 12-16 Nm.

2. Remove the Tie-Strap from the chain.

3. Refit the Timing Chain Tensioner - Primary. The camshafts may need to be turned slightly to provide slack in the chain, on the tensioner side. Refer to Operation 12.65.55 in this Section.

4. Refit the VVT Bush Carrier Assembly. Refer to Operation 12.65.52 in this Section.

---

5. Refit the Timing Cover. Refer to Operation 12.65.01 in this Section.

---

6. Move the engine compartment cover from the service position and connect the gas struts.

---

7. Remove the paint protection sheets and close the cover.

---

8. Connect the battery and fit the battery cover.

Refer to the Battery Reconnection Procedure 86.15.15.

bmdyZWdzbzE7MjAyMCOwNC0yOFQxNDozMj01My4zNTVaOzgz2lE3My4yMDcuMjQzOw==